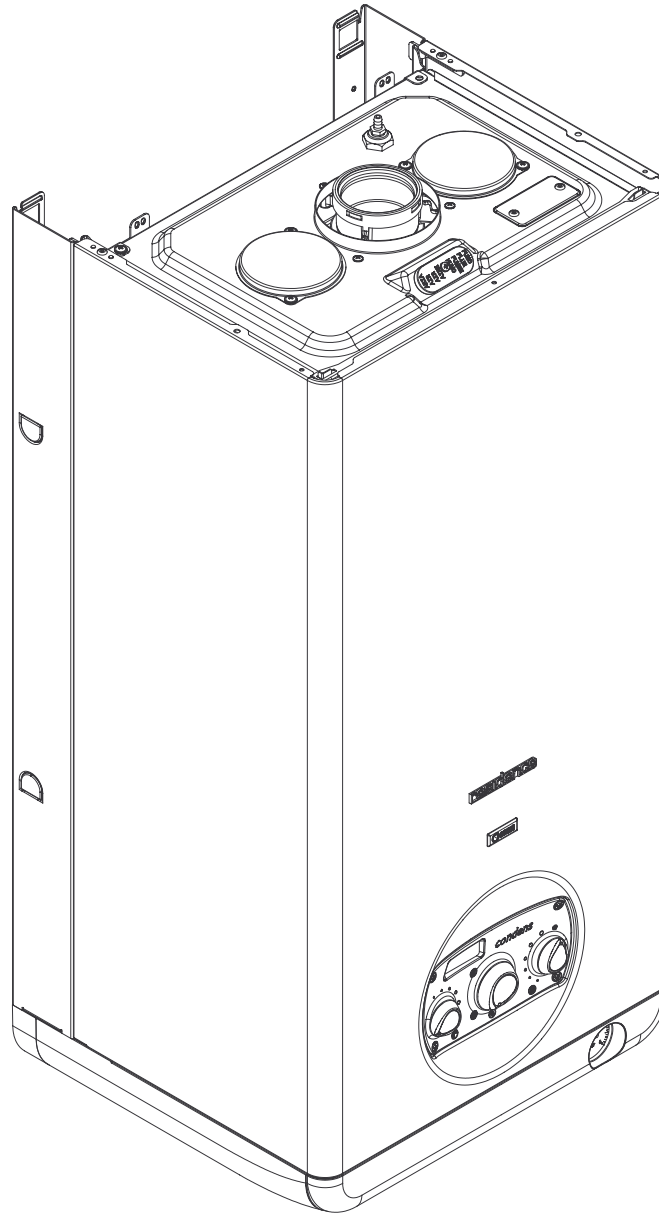


Wall hung boilers

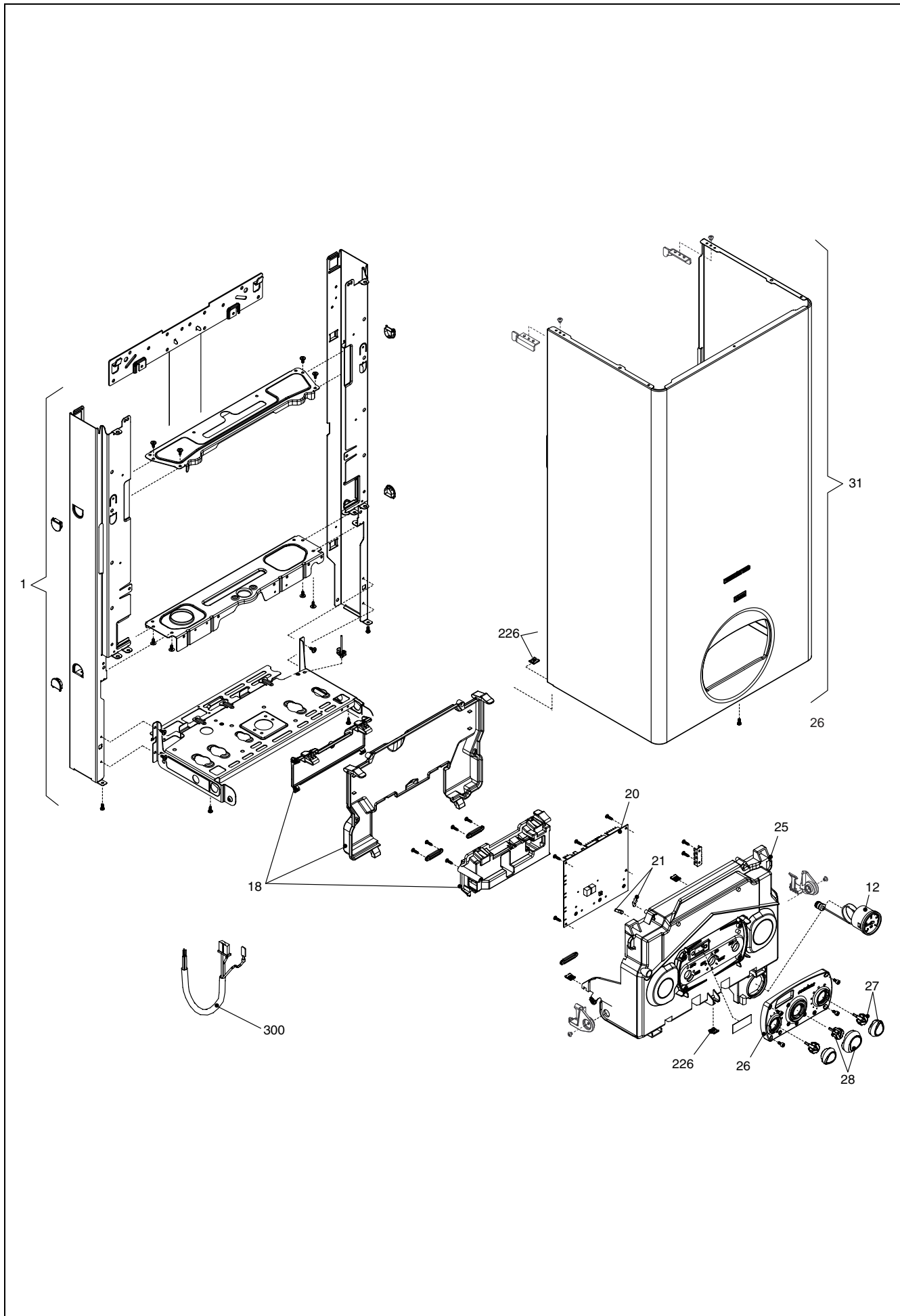
Residence Condens 35 KIS e



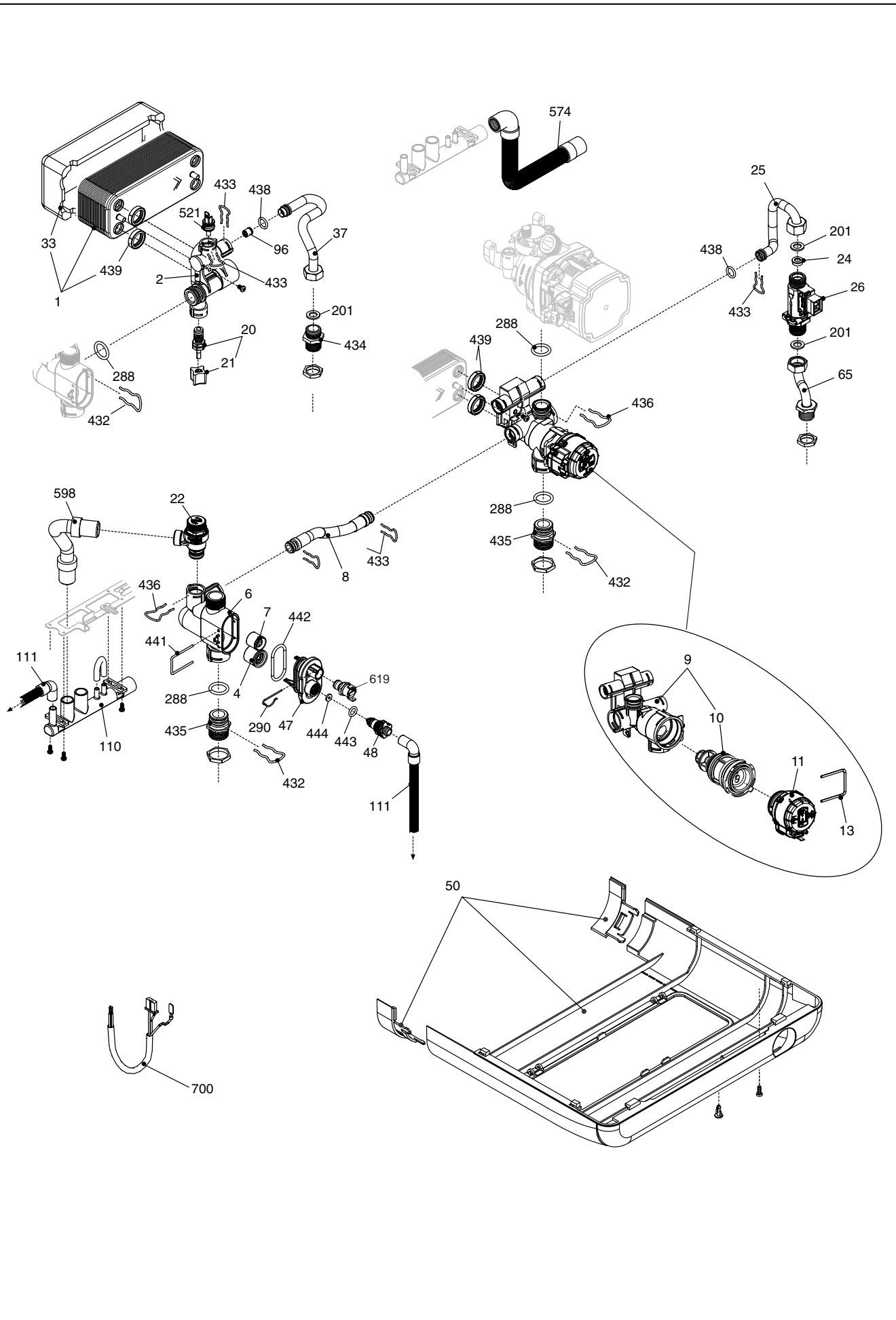
MODEL	PART NUMBER	
	MTN	GPL
Residence Condens 35 Kis e	20100506 (P3A)	-

Export

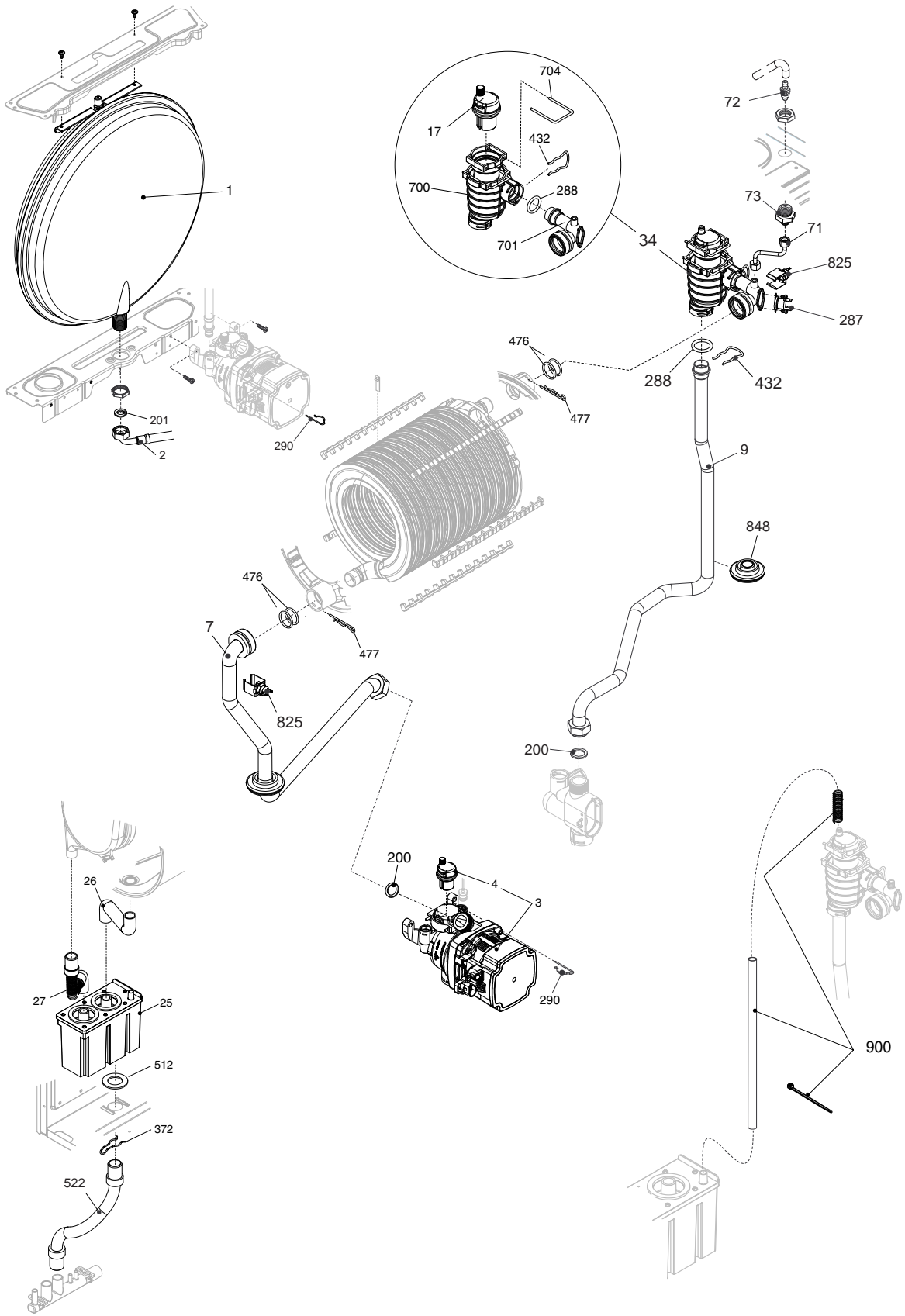
Cod.E1182 Rev.1.0 (12/2015)



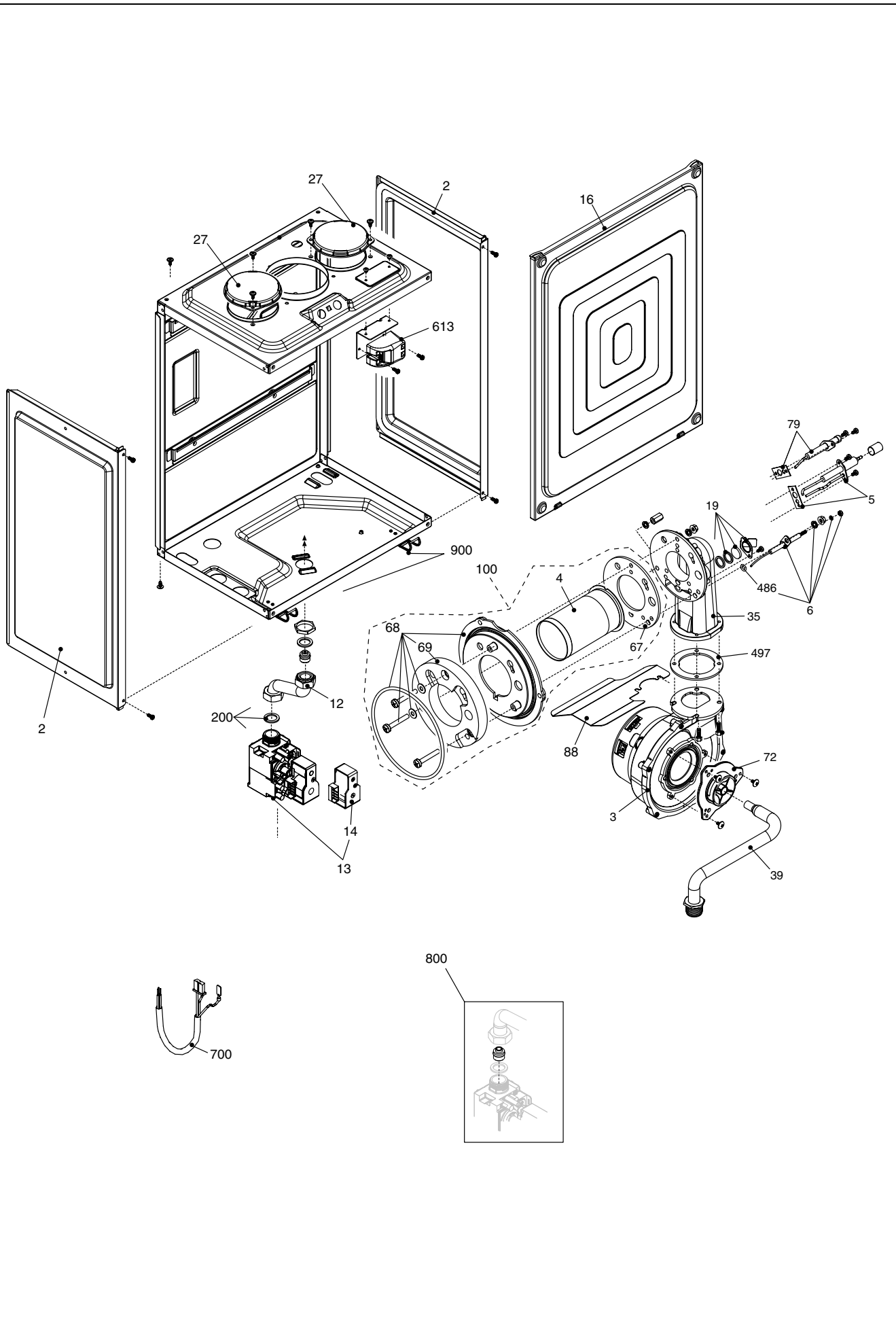
POS.	DESCRIPTION	35kis
1	Frame	4366034
12	Pressure gauge	4364942
18	Cover assembly	4366331
20	Printed circuit board	4366954
21	Led light guide	4366333
25	Instrumental plate	4366334
26	Instrumental panel	4366364
27	Knob	4366336
28	Knob	4366337
31	Case	4366368
226	Clip	4363594
300	Low tension cable	4R000456
300	Power wiring harness	4366343



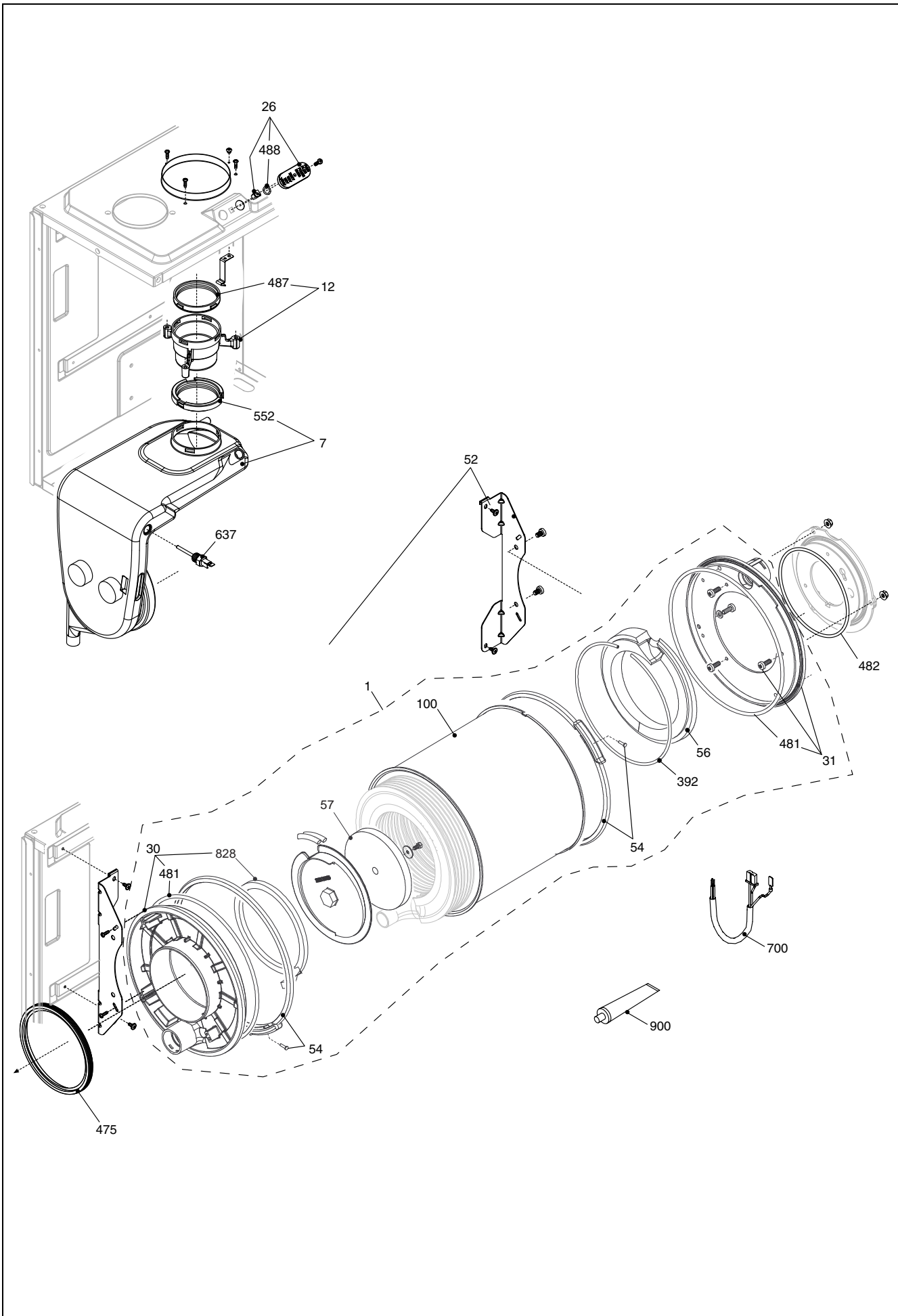
POS.	DESCRIPTION	35kis
1	Heat exchanger	4365587
2	Hydraulic group	4365951
4	Non return valve	4365749
6	By-pass casing	4365750
7	High head by-pass valve	4365043
8	Pipe	4365732
9	Valve with cartridge	4366914
10	Cartridge	4R001062
11	Actuator	4366916
13	Clip	4366918
20	Filling cock	4R001342
21	Knob	4R001617
22	Safety valve	4R001077
24	Flow governor	4365786
25	Pipe	4365733
26	Dhw actuator	4R100477
33	Insulator	4R000139
37	Pipe	4366329
47	Cover for by-pass assembly	4365753
48	Cock	4365752
50	Cover assembly	4366000
65	Pipe	4365736
96	Non return valve	4366134
110	Condensing collector	4365850
111	Flexible pipe	4365927
200	Washer	4363389
201	Washer	4363391
288	O ring	4364282
290	Clip	4364751
432	Clip	4365623
433	Clip	4365761
434	Nipple	4365762
435	Fitting/union	4365763
436	Clip	4365764
438	O ring	4365766
439	Washer	4365767
441	Clip	4365768
442	O ring	4365769
443	O ring	4365770
444	Washer	4365771
521	NTC sensor	4365765
574	Flexible pipe	4366295
598	Pipe	4365849
619	Pressure	4366853
700	Hydraulic control cable	4R102182



POS.	DESCRIPTION	35kis
1	Expansion vessel	4365006
2	Pipe	4365695
3	Pump	4R102803
4	Air vent bottle	4365707
7	Pipe	4R103641
9	Pipe	4R103673
17	Air vent valve	4366956
25	Condensate reservoir	4366066
26	Condensation outlet tube	4R002289
27	Flexible pipe	4365921
34	Kit degasser + tube	4R103621
71	Pipe	4367124
72	Vent plug	4365159
73	Cock	4366067
200	Washer	4363389
201	Washer	4363391
287	High limit	4364948
288	Ring	4364282
290	Clip	4364751
372	Clip	4365546
432	Clip	4365623
476	O ring	4365860
477	Split pin	4365861
512	Washer	4365918
522	Condensing pipe	4365859
700	Degasser kit	4R001159
701	Pipe	4366960
704	Clip	4366963
825	NTC Detector	4R101035
848	Fairlead	4R102675
900	Degasser connection assembly	4R102585



POS.	DESCRIPTION	35kis
2	Air chamber side	4365865
3	Fan	4R102248
4	Premix burner	4R102753
5	Spark / ignition electrode	4366966
6	Condense electrode	4365868
12	Gas pipe	4366372
13	Gas valve	4R000835
14	Gas valve solenoid	4R000824
16	Air chamber access panel	4365870
19	Burner observation port kit	4365871
27	Hole cover	4366888
35	Air/gas manifold	4366356
39	Pipe	4365931
67	Washer	4365875
68	Flange	4R001326
69	Protection	4R001327
72	Mixer	4366953
79	Flame sensor	4366361
88	Blower heat shield	4366454
100	Burner assembly	4366974
200	Washer	4363389
486	O ring	4366235
497	Washer	4365897
613	Ignition transformer	4366419
700	Spark electrode cable	4365840
700	Ignition cable	4366434
700	Gas valve cable	4366341
800	Ng conversion kit	4366153
800	LPG conversion kit	4R000690
900	Clips	4R002188



POS.	DESCRIPTION	35kis
1	Condensing exchanger	4367083
7	Conveyor	4365894
12	Flue drain connection	4365881
26	Cap smoke analysis	4R101989
30	Flange assembly	4R102875
31	Burner flange	4R001383
52	Bracket assembly	4R102955
54	Ring closing	4R001384
56	Insulation panel	4R001385
57	Tryton retarder	4R000521
100	Container exchanger	4R001380
392	Washer	4R001373
475	Outlet heat exch.seal gasket	4365886
481	Washer	4R001382
482	Inlet heat exch.seal gasket	4365888
487	Washer Ø 60	4365889
488	O ring	4364959
552	Washer Ø 60	4366238
637	Flue sensor	4366463
700	Combustion cable whit temperature detector	4366499
828	Washer	4R102411
900	Tube sealant	4R001386

Rev.	data	Descrizione
1.0	15/12/2015	E00120150856 : eliminata raccorderia idraulica

RIELLO

Riello reserve the right to change the specifications without prior notice.
Consumers' statutory rights are not affected.

Riello se réserve le droit de modifier les caractéristiques et les données reportées dans le présent fascicule
à tout moment et sans préavis, dans le but d'améliorer les produits.